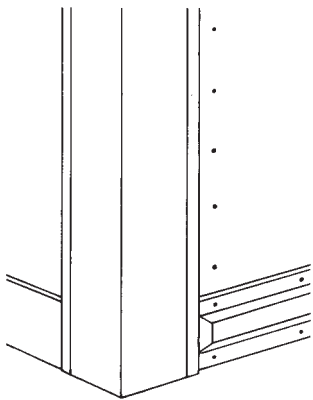


WHY ALUMINUM? WHY ALGOODS?

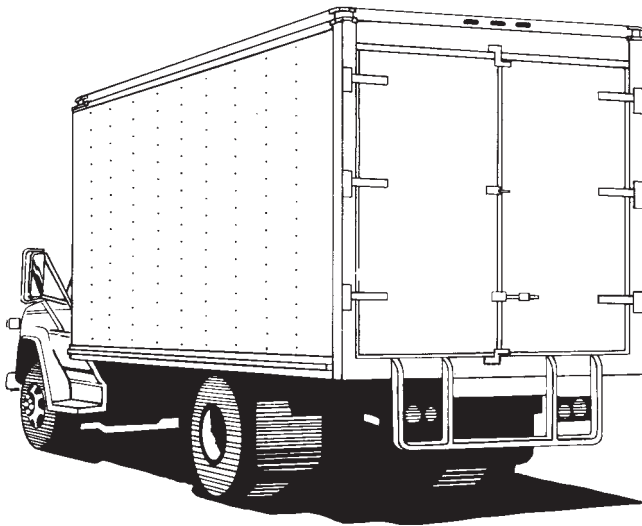


LIGHTWEIGHT

Aluminum has an unrivalled high strength-to-weight ratio. The lightweight body means you can increase your payload....and save on fuel costs.

STRONG AND DURABLE

Aluminum is strong and rigid: a stable material with consistent and predictable properties. It doesn't absorb moisture so it won't swell, shrink, warp, split or crack. These enduring properties mean a well-designed and well-built aluminum body will maintain its strength and rigidity, giving you years of performance. In fact, Algoods truck bodies often outlast several chassis.



MINIMUM MAINTENANCE

Washing is all that's normally needed to keep an aluminum truck body looking good for years.

EASY REPAIR

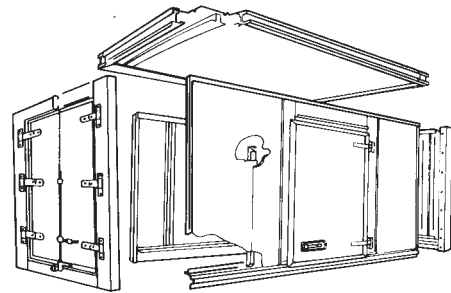
Repairs, small or large, are easy and economical.

EXPERIENCE

Algoods has been designing and building aluminum truck bodies for four decades.

INNOVATION

Algoods pioneered flexible, high-quality truck body design in kit form in Canada. Product lines include cutaway and straight vans, in standard or aerodynamic designs, for dry or refrigerated freight.



MODULAR DESIGN

Algoods modular design offers maximum flexibility to meet your specific needs. It also makes repair and replacement of individual parts or sub-assemblies quick, easy and economical.



TOP QUALITY SINCE 1963

Algoods truck bodies, made from high-quality, corrosion-resistant aluminum, are both strong and sleek.

The riveted panels and roof, bolted sub-assembly and exact mating of extrusions mean the truck body will retain its strength and integrity.

NATIONAL DEALER NETWORK

Algoods coast-to-coast truck body builder network helps keep your fleet on the road with local delivery and immediate repairs, parts and service.



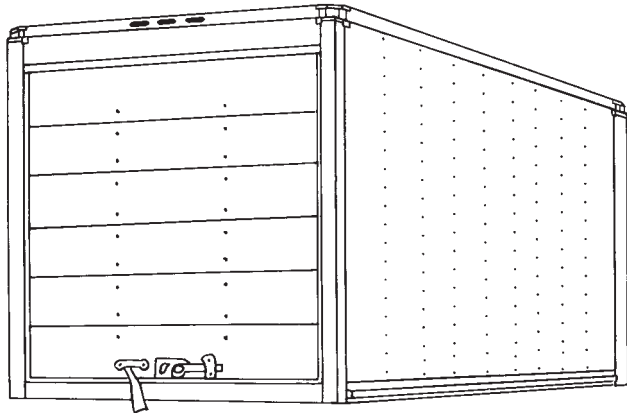
TECHNICAL SERVICE

Algoods has been designing products for the transportation industry for decades. Algoods customers benefit from the latest developments in transportation and in-depth technical assistance.

OPTIONAL FEATURES

BODY: High strength 0.040" smooth aluminum sheet
 Length: 24" increments (min.10'/max.36')
 Width: 96" or 102"
 Height: 72", 84", 90", 96", 102", 108",

CUSTOM OPTIONS AS REQUIRED



DOOR CONFIGURATIONS:

Rear: Satin-coated all steel welded frame
 – with full-open doors (2,3,or 4 panel)
 – ready for customer-installed roll-up door

Flat or recessed rear sill
 Header: 5¾" or 7¾"

Side: Number of side doors, hinges and placement curb-side or street-side as required
 Height: nominal body height less 4" or custom
 Width: 39" or 45" (std) or custom

CUSTOM OPTIONS:

Roll-up doors headers for side doors
 Aluminum rear frame
 Aluminum rear doors: less-than-full-open with a single (39") or double (45") opening

WALL POST: 1½" Z type extrusions on 24" centers
CUSTOM OPTIONS: 12" or 16" centers

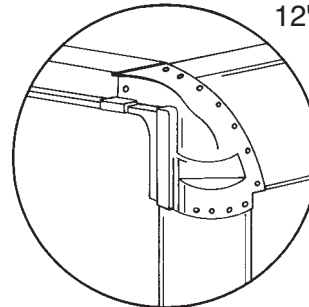
See your Algoods truck body builder for a wide range of builder-supplied custom options.

Algoods Truck Bodies Inc.,
 5 Tilbury Court, Brampton, Ontario L6T 3T4
 Tel.: (905) 459-9459 Toll free: (800) 668 7908
 www.algoods.com

ROOF: One piece stressed-skin aluminum or translucent sheet, perimeter riveted to recessed roof rail and held in tension by arched 2" top-hat type extruded roof bows. Roof rail contains invisible wiring groove that is accessible from exterior.

AERO-DYNAMIC: 6-6 (6" radius on corner posts and 6" radius on roof rail)

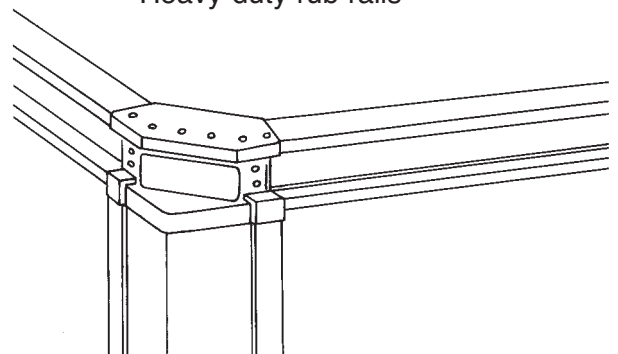
STYLING: 6-12 (6" radius on corner posts and 12" radius on roof rail)



Heavy-duty aluminum extrusions for roof rail
 Heavy-duty corner castings

FINISHES: Pre-painted white (standard)
 Optional: black or fleet colours

OTHER FEATURES: Lower running lights (dealer supplied) mounted on a 45° angle on corners
 Heavy-duty rub rails

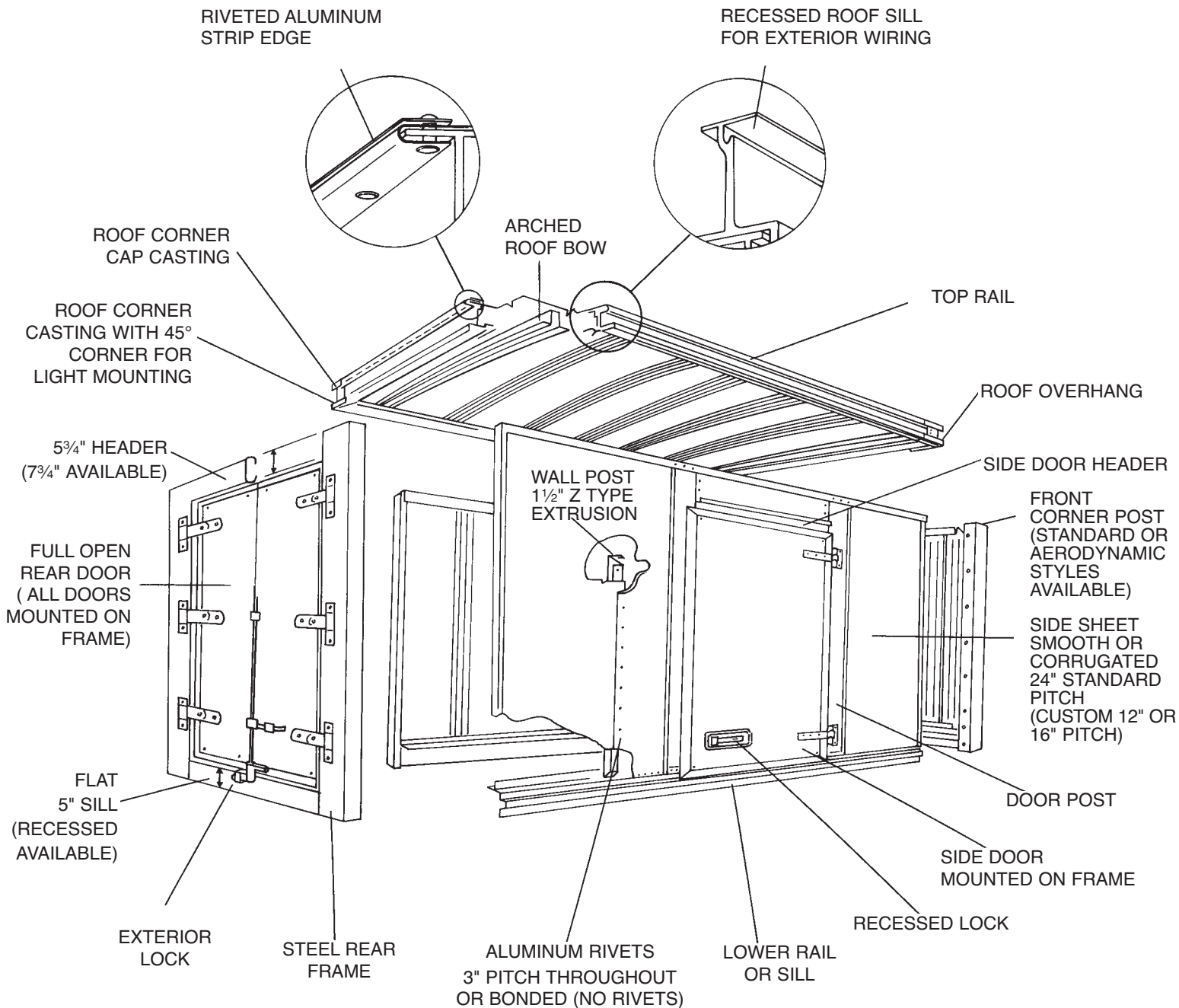


CUSTOM OPTIONS: Doghouse extension with optional built-in floor over truck cab
 Lower-rail cutouts for wheelhouse installation
 Riveted or Bonded

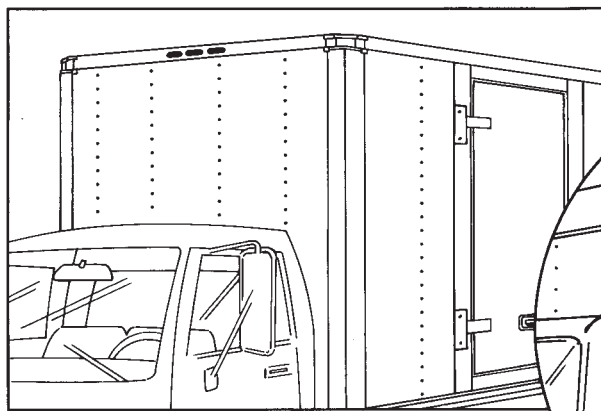
See your Algoods truck body builder for a wide range of builder-supplied custom options.



BUILT FOR STRENGTH

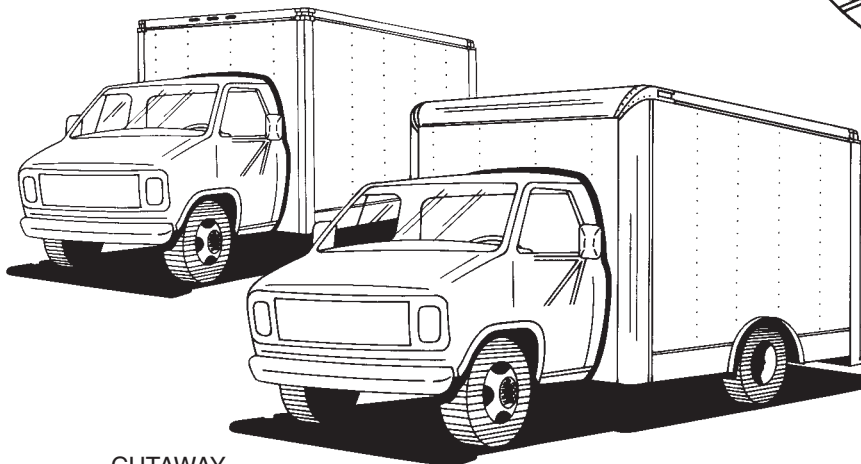
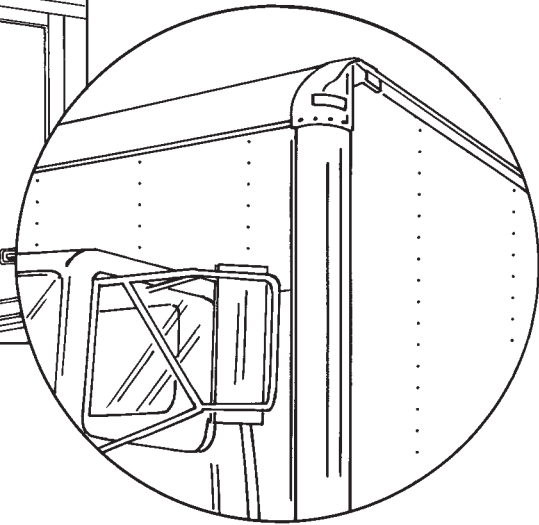


STYLES TO SUIT YOUR NEEDS

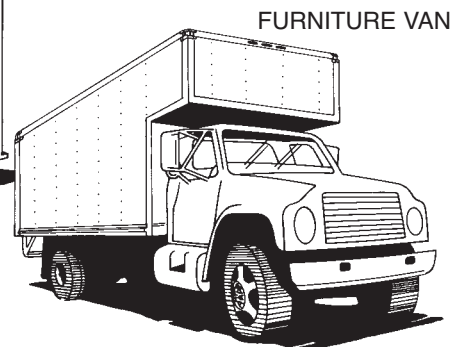


STANDARD
STRAIGHT VAN

6-12 AERODYNAMIC FRONT
(6-6 FRONT ALSO AVAILABLE)



CUTAWAY
LEFT: STANDARD FRONT
RIGHT: 6-6 AERODYNAMIC FRONT



FURNITURE VAN

ALGOODS TRUCK BODIES

Algoods brings new meaning to the word perfect

Dramatically improved gas savings

Algoods truck bodies have always delivered superior fuel economy. But now because of its new streamlined aerodynamic design, the Algoods truck body gives you even greater savings in gas.

Carrying a bigger payload

The Algoods truck body has always given you the opportunity to carry a bigger payload; simply because of its curved front corners, the load space has been expanded, allowing you to carry even more.

Saving time

Algoods new aerodynamic design cuts wind resistance significantly, saving you costly time on each and every run.

Standard side door openings

39-inch opening for 39-inch single or 19½-inch double doors.

45-inch opening for 22½-inch double doors.

Custom openings and custom doors are available options.

Standard rear-door openings

Full openings*

86-inches wide on 96-inch OD body

92-inches wide on 102-inch OD body

Full openings can be supplied with double doors, or 4-panel folding doors

* Steel frame

Less than full openings*

39-inch opening for 39-inch or 19½-inch double doors

45-inch opening for 22½-inch double doors.

* Aluminum frame

Roll-up door openings

When body is to be fitted with a roll-up door, the door opening is supplied with a 5¾ or 7¾-inch-deep header and a welded steel frame.

General Specifications

Widths, regular bodies

96-inch OD body (91½-inch ID)

102-inch OD body (97½-inch ID)

Heights*, regular bodies ID

6 ft 6 ft 6 in

7 ft 7 ft 6 in

8 ft 8 ft 6 in

9 ft

* Based on measurement from underside of roof bow to top of 1 ¼-inch floor. Special heights to 108-inch ID available

Lengths*, regular bodies

10 feet to 36 feet ID (nominal) in 2 ft increments

OD is 11½ inches longer than nominal length

ID is 7 inches longer than nominal length

* Special lengths are available

ROOF STYLE

One-piece stressed-skin roof sheets, perimeter riveted to recessed roof rail, and held in tension by arched 2-inch top-hat type extruded roof

bows. Roof rail contains invisible wiring groove that is accessible from exterior. Aluminum sheet or translucent.

Wall Posts

1½-inch Z type extrusions on 24-inch centres, with wide flanges for lining with standard plywood. For heavy-duty service, 12-inch or 16-inch centres are available.

Body Skin

Aluminum sheet 0.040-inch thick, smooth. Available finishes are: Pre-painted white or fleet colours, mill finish for painting and clearcoat plastic for a long lasting natural finish.

Materials

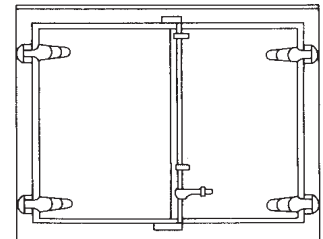
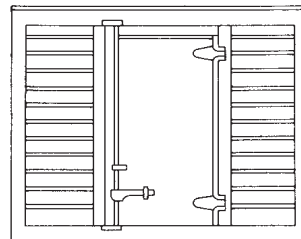
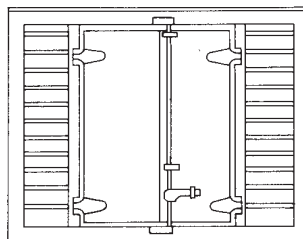
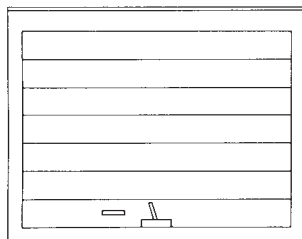
High strength, truck body quality aluminum alloy and steel.

Custom Options

- Roll-up door headers for rear or side doors.
- Wall posts on 12 or 16 inch centres
- Prepainted body sheet
- Welded lower-rail cutouts for wheel house installation
- Special height bodies from 72-inch ID to 108-inch ID
- Doghouse or Picture-Box extension over truck cab
- Bonded panels (no rivets)
- Call for more options

12 Months Guarantee

These bodies carry an unconditional 12 month warranty against defective material or workmanship.



Your Authorized Algoods Truck Body Dealer

Algoods Truck Bodies Inc.,
5 Tilbury Court, Brampton,
Ontario L6T 3T4
Tel.: (905) 459-9459 Toll free: (800) 668 7908
www.algoods.com



ALGOODS CUTAWAY BODIES

Algoods presents the ultimate in aluminum cut-away bodies.

Light, attractive, virtually maintenance free, long lasting, the Algoods cut-away body is available nationally through the existing Algoods truck body dealer network.

It offers the most practical and economical answer for the local pick up and delivery service and meets ideally the needs of the light truck rental business. Fits all chassis makes, single or dual rear wheels.

Available in lengths of 10-36 ft, heights of 6-9 ft and widths of 92 or 102 inches.

General Specifications

Dimensions:	14 Lengths* 10-36 ft in 2 ft increments *Nominal length	7 Heights* 6-9 ft in 6 inch increments *Clear inside, before lining	2 Widths – Out over corner posts: 96 inch 102 inch – inside, before lining: 91½-inch 97½-inch
Body Skin:	Smooth aluminum sheet, 0.040 inch thick Available finishes: Pre-painted white or fleet colours, mill finish for painting and clear coat plastic for a long lasting natural finish.		
Roof Style:	One piece stressed skin roof with 2 inch deep roof bows. Aluminum or translucent		
Rear frame:	All steel, with 5¾ inch roll-up door header and 9½ inch deep sill.		
Cab to Body Opening:	Width: 61⅙ inch , height 47¼ inch		

Custom Options:

Rub Rails:	½ inch deep
Rear Doors:	Full open double rear doors Less than full open rear doors* (1, 2, 3 and 4 panel) *available with all aluminum rear frames only
Side Doors:	39 inch opening for 39 inch single or 19½ inch double doors 45 inch opening for 22½ inch double doors

Warranty:

The Algoods cut-away kit carries a 12 month warranty against defective material or workmanship. We will replace at distributor's place of business any part or parts judged by us to be defective due to these reasons.

Your Authorized Algoods Truck Body Dealer

Algoods Truck Bodies Inc.,
5 Tilbury Court, Brampton,
Ontario L6T 3T4
Tel.: (905) 459-9459 Toll free: (800) 668 7908
www.algoods.com

